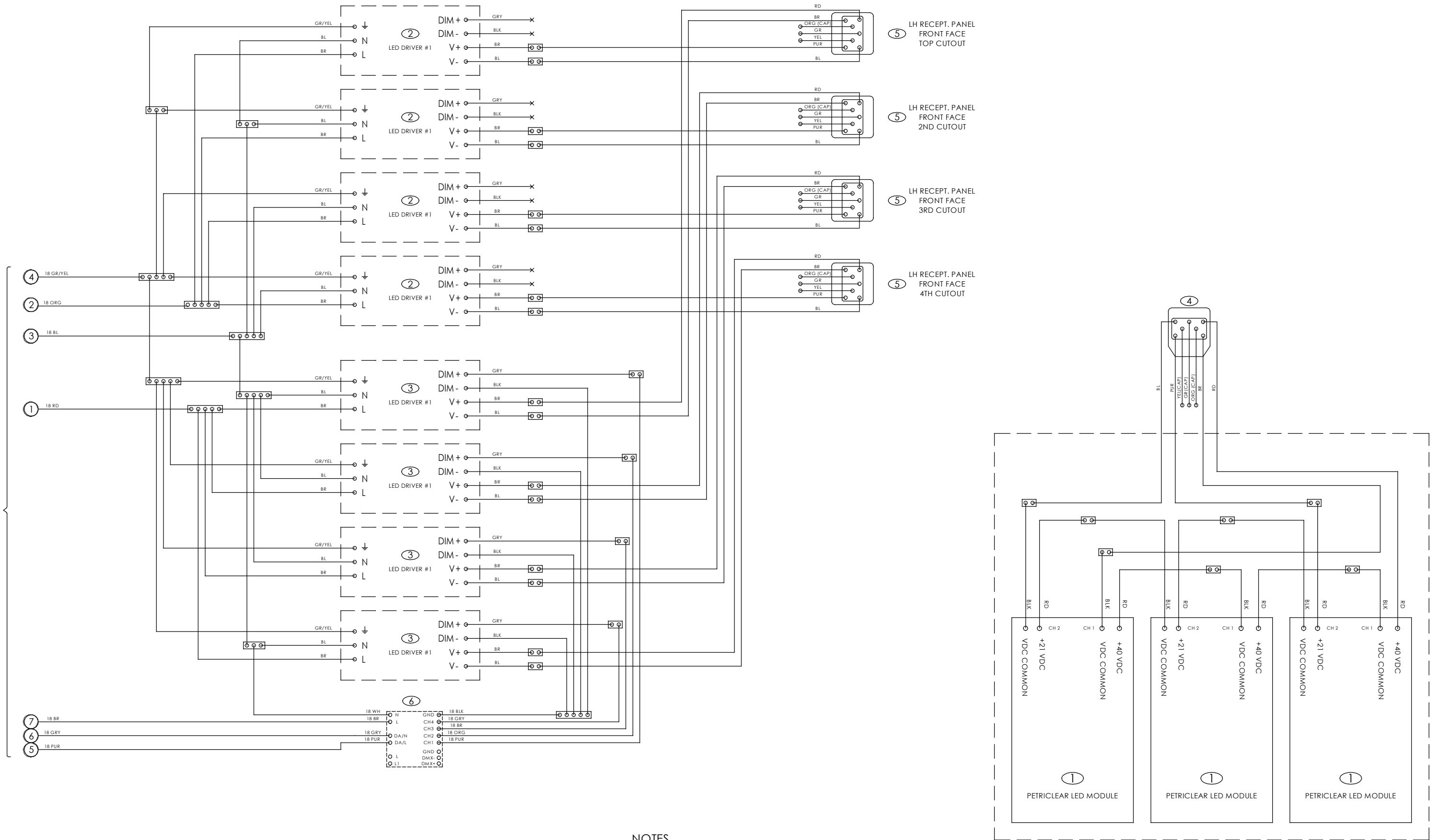


REFER TO MAIN CHAMBER ELECTRICAL SCHEMATIC:



- 1 - LED MODULE - PETRICLEAR LED TILE, WHITE / INFRARED (ELD-143A)
- 2 - LED DRIVER - XLG-75-L-AB, CONSTANT CURRENT (ELD-120)
- 3- LED DRIVER - HLG-60H-C350B, CONSTANT CURRENT (ELD-130)
- 4- PLUG - EMF #P-7-1, 7-PIN, 7-COLOR (EPL-052)
- 5 - RECEPTACLE - EMF #R-7-1, 7-COLOR 108" WIRE LENGTH (ERE-083)
- 6- DALI CONVERTER - 100-240 VAC, DALI INPUT, 10V PWM OUTPUT (ELD-049)

NOTES

- 1. CORD LENGTH TO BE 18".
- 2. CAP DIMMING WIRES ON ELD-120.
- 3. CHAN 1 = WHITE, CHAN 2 = I.R.

AMP DRAWS:	AT 40 VDC	AT 21 VDC	AT 120 VAC	AT 220 VAC
AMP DRAW PER TILE:	0.35 A	0.67 A	CH 1	CH 2
AMP DRAW PER LAMPBANK:	1.05 A	2.01 A	0.35A	0.35A
			0.19A	0.19A

**PERCIVAL SCIENTIFIC, INC.**

TITLE: ELECTRICAL SCHEMATIC - LIGHTING  
 MODEL: CU41L4  
 BY: RAS DATE: 1/30/24

DRAWING: 033586-4-0-2  
 REV: -