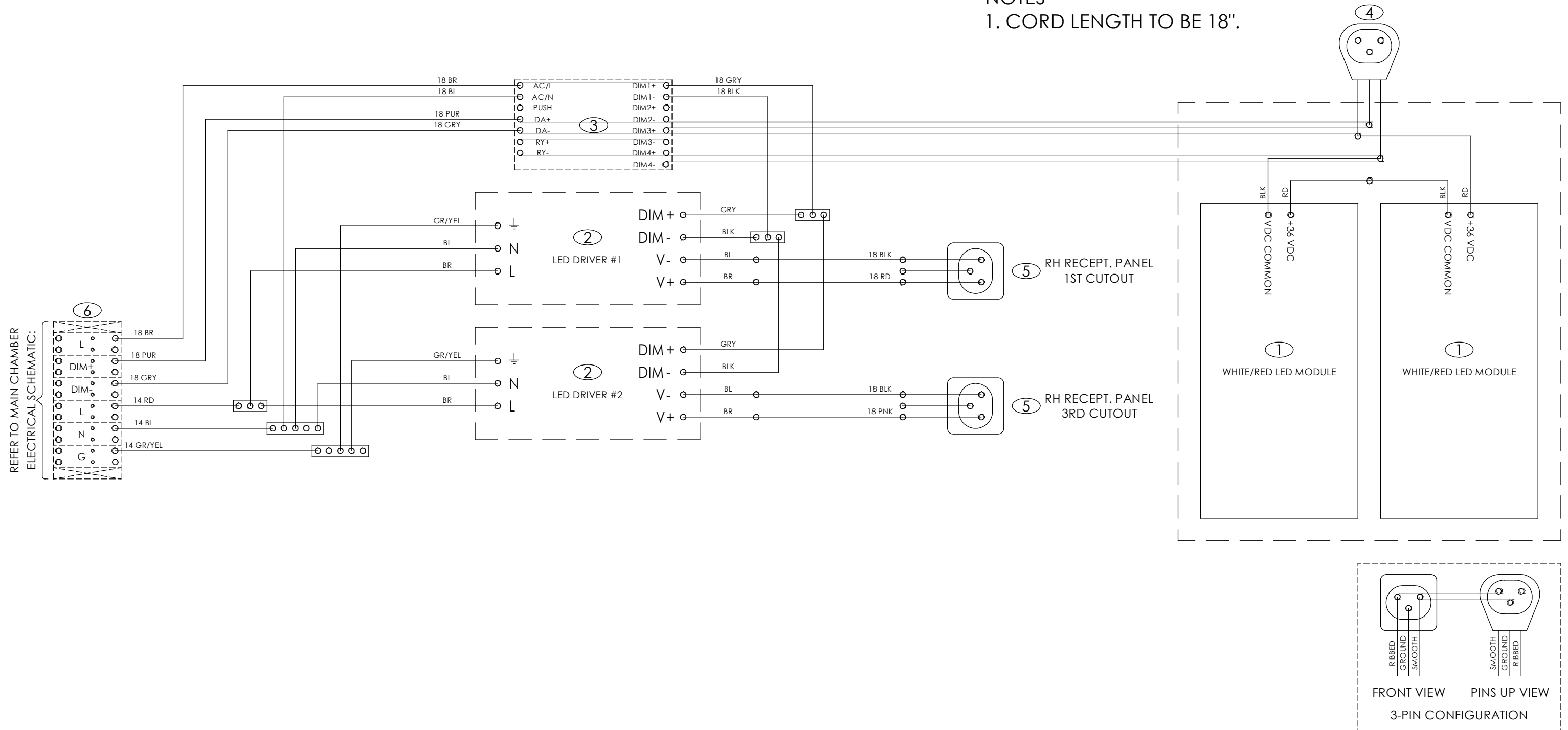


AMP DRAWS:	AT 72 VDC	AT 230 VAC
AMP DRAW PER LAMPBANK:	1.40 A	0.47 A

NOTES

1. CORD LENGTH TO BE 18".



- 1 - LED MODULE - DIMMABLE, WHITE & PHOTO RED, 36 VDC (ELD-156)
- 2 - LED DRIVER - HLG-185H-C1400B, CONSTANT CURRENT (ELD-071)
- 3 - CONVERTER - 90-305VAC DALI/PUSH INPUT, 10V PWM OUTPUT (ELD-033)
- 4 - PLUG - CORDSET, WHITE, 3-WIRE, AWG 18, 300V, 54" LENGTH (EPL-006)
- 5 - RECEPTACLE - 3-PIN, AWG 18, 12" WIRE LENGTH (ERE-014)
- 6 - TERMINAL BLOCK - WAGO, SERIES 2004, AWG 20-10, 30A, 600V

TITLE: ELECTRICAL SCHEMATIC - LIGHTING			
MODEL: PGC-6L2		DRAWING: 034252-0-2	
BY: JH	DATE: 06/27/24	REV: -	

