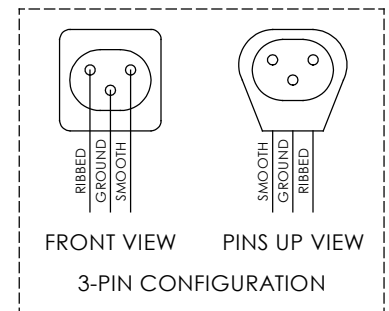
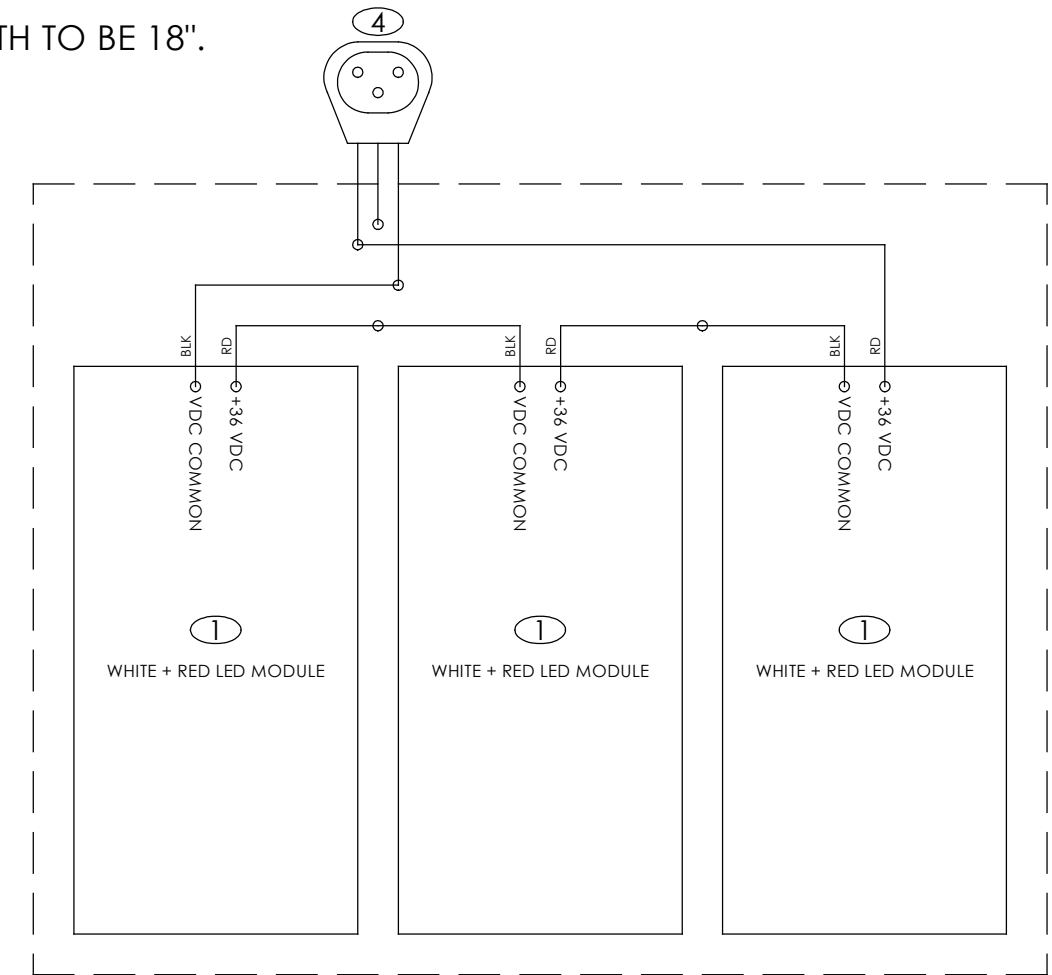
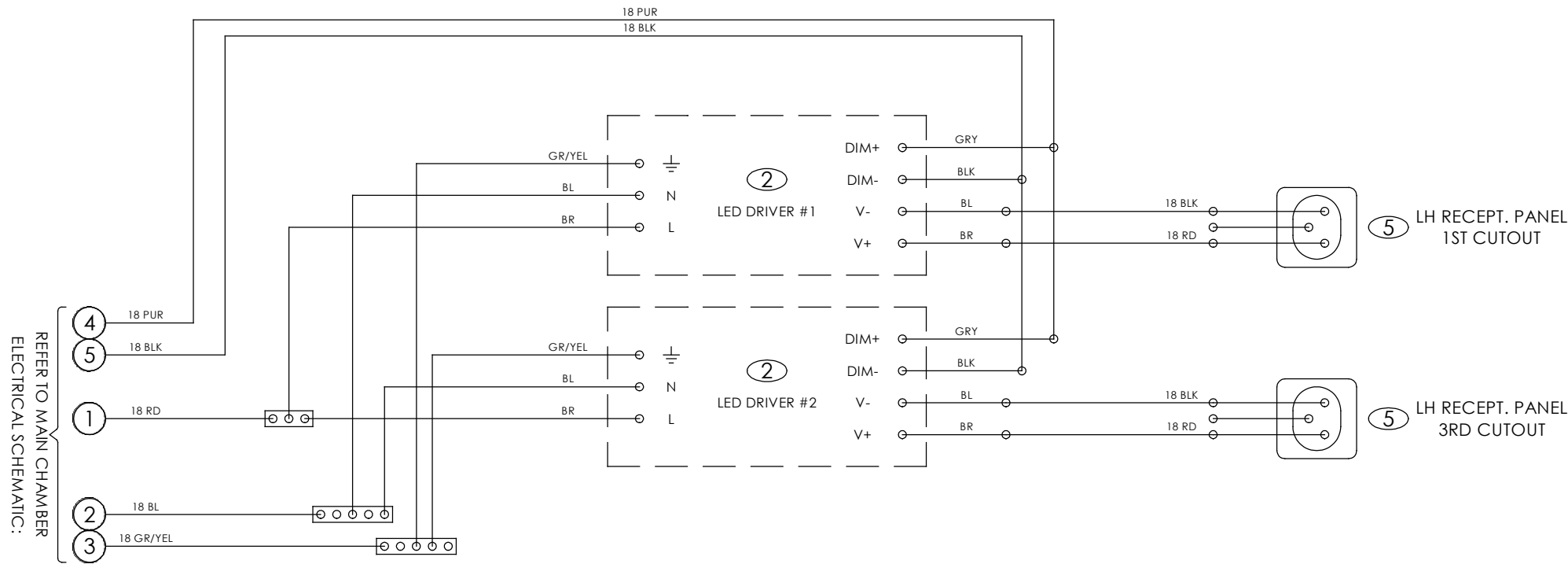


AMP DRAWS:	AT 108 VDC	AT 120 VAC	AT 230 VAC
AMP DRAW PER LAMPBANK:	1.4 A	1.26 A	0.71 A

NOTES
1. CORD LENGTH TO BE 18".



- 1 - LED MODULE - DIMMABLE, WHITE + RED, 36 VDC (ELD-156)
- 2 - LED DRIVER - HLG-185H-C1400B, CONSTANT CURRENT (ELD-071)
- 3 - CONVERTER - 90-250VAC, DALI TO PWM (ELD-048)
- 4 - PLUG - CORDSET, WHITE, 3-WIRE, AWG 18, 300V, 54" LENGTH (EPL-006)
- 5 - RECEPTACLE - 3-PIN, AWG 18, 12" WIRE LENGTH (ERE-014)

PERCIVAL SCIENTIFIC, INC.			
TITLE: ELECTRICAL SCHEMATIC - LIGHTING			
MODEL: ARC-41L2-E	DRAWING: 034298-0-2		REV: -
BY: RAS	DATE: 08/29/24		